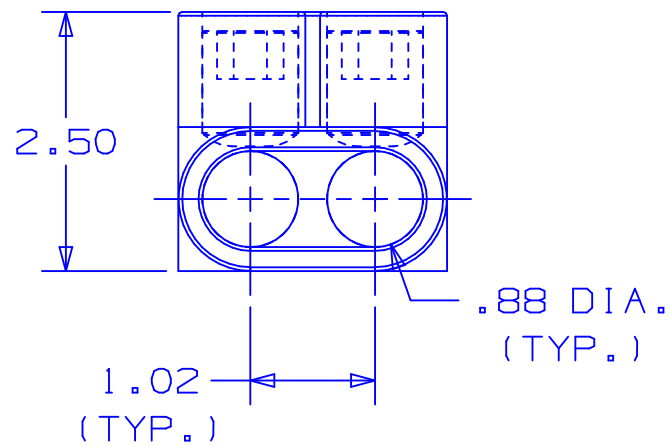


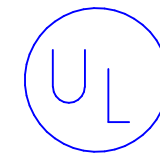
TWO PORT CONNECTOR BLOCK SHOWN WITH PLASTIC CLOSURE PLUGS REMOVED. SEE TABLE FOR DIMENSIONS OF PARTS WITH ADDITIONAL PORTS.



NOTES:

1. UL 486B LISTED. DUAL RATED CU9AL FOR ALUMINUM OR COPPER CONDUCTORS. MEETS OR EXCEEDS ANSI C119.4
2. WIRE RANGE: 350 MCM-#10 AWG STR, #10 AWG SOL. ONLY ONE CONDUCTOR PER PORT ALLOWED.
3. STRIP LENGTH: 1.00 +.06/-0
4. HEX KEY SIZE: 3/8", TIGHTENING TORQUE 375 IN-LB.
5. VOLTAGE RATING: 600 V. MAX. BUILDING WIRE, 1000 V. MAX. IN SIGNS & FIXTURES.
6. TEMPERATURE RATING: 90° C.
7. CONNECTOR BLOCK BODY, AND CLAMPING SCREWS ARE MADE FROM ALUMINUM. PORTS IN CONNECTOR BLOCK ARE PREFILLED WITH AN OXIDE-INHIBITING COMPOUND.
8. INSULATION MATERIAL IS CLEAR PVC.
9. CLAMPING SCREW ACCESS PORTS AND ALL WIRE ENTRY PORTS ARE PROVIDED WITH REMOVABLE PLASTIC CLOSURE PLUGS.
10. ALL DIMENSIONS SHOWN ARE NOMINAL.
11. PACKAGE QTY:
  - 4 = 4 PCS.
  - 3 = 3 PCS.
  - 2 = 2 PCS.

PART NUMBER	# CONDUCTOR PORTS	DIM "L"
PCSB350-2-4	2	2.22
PCSB350-3-4	3	3.24
PCSB350-4-3	4	4.25
PCSB350-5-3	5	5.28
PCSB350-6-2	6	6.30
PCSB350-7-2	7	7.31
PCSB350-8-2	8	8.33



LISTED  
509D

C41247\_03

--	--	--	--	WIDTH DIM WAS: 3.13; REVISED NOTE 9.	--	--	--	
03	6/04	JHNU		CHANGED DIM "L" IN TABLE: 2.22 WAS 2.25 3.24 WAS 3.25, 5.28 WAS 5.25, 6.30 WAS 6.25 7.31 WAS 7.25, & 8.33 WAS 8.25				
02	9/99	ES	RLS	NOTE 4 WAS HEX KEY SIZE: 5/16", TIGHTENING TORQUE 275 IN-LB.	07932	LCA	TRO	
01	8/99	ES	RLS	ADDED 509D TO UL SYMBOL, UPDATED NOTES 2, 4 & 5.	07875	JCJ	TRO	
REV	DATE	BY	CHK	DESCRIPTION	ECN #	CUST	PM	
						MS	RLS	N/A
								DRAWING NO. C41247



CORP. TINLEY PARK, ILLINOIS

MULTI-TAP INSULATED CONNECTORS  
PCSB 350 SERIES

DRAWN BY MS CHK'D RLS SCALE N/A DRAWING NO. C41247